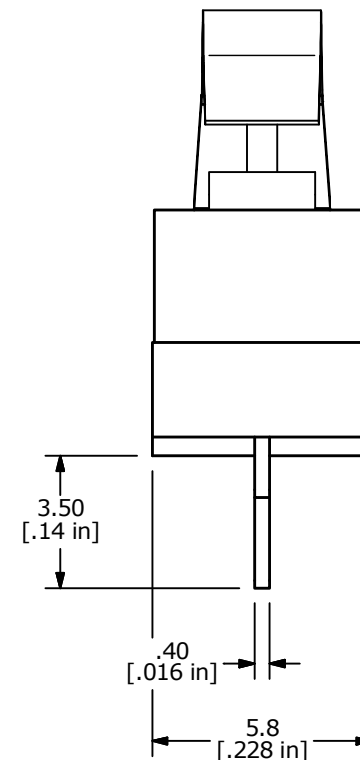
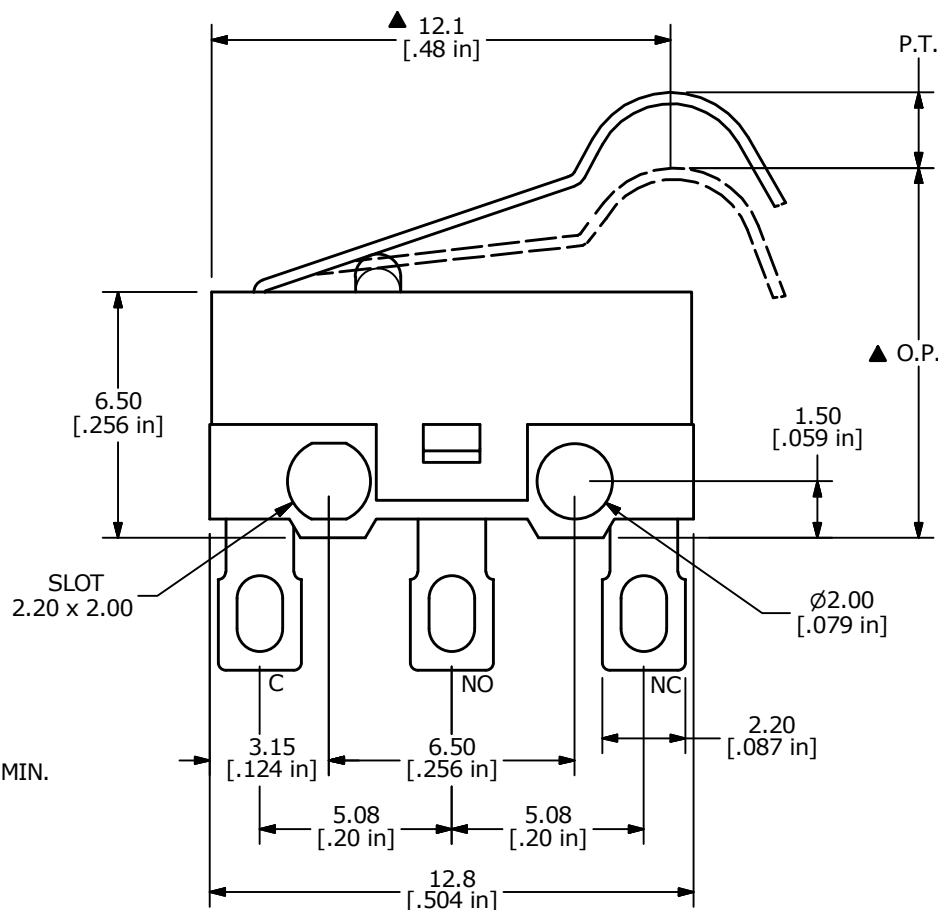
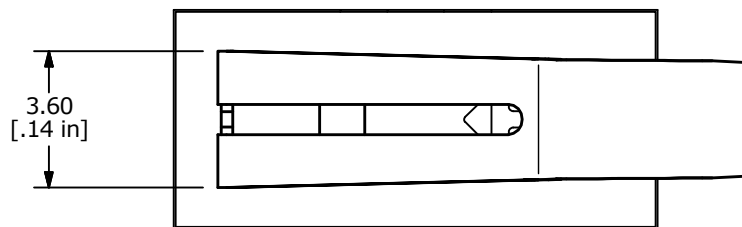


O.P. (MM)	P.T. (MM)
9.65±0.8	1.35 MAX.

O.P. = OPERATING POINT
P.T. = PRE-TRAVEL



NOTES:

1. ALL DIMENSIONS IN MM [INCH]
2. GENERAL TOLERANCE: X.X = ± 0.4
X.XX = ± 0.25
- ▲ 3. RATING: 0.1A @125VAC UL
- ▲ 4. OPERATING FORCE: 30 to 55 GRAMS
5. OPERATING TEMP: -25°C to 75°C
6. ELECTRICAL LIFE: 10,000 CYCLES MIN.
7. MECHANICAL LIFE: 1,000,000 CYCLES MIN.
8. INSULATION RESISTANCE: 100 MEGA-OHMS MIN.
9. DIELECTRIC STRENGTH: 500VAC - 1 MINUTE
10. ▲ DENOTES CRITICAL PARAMETER.
11. PACKAGED IN TRAYS, 120 PIECES PER TRAY.
12. 2011/65/EU (ROHS) COMPLIANT

D	23372	correct actuator dim.	5/17/18	MW
C	20588	FORCE WAS 50+/-10 GRAMS	05/03/12	DRG
B	18157	REMOVE CE APPROVED FROM NOTES	6/24/08	BLR
A	18124	RELEASE FOR PRODUCTION	6/10/08	BLR
REV	PCR NO	DESCRIPTION	DATE	BY



TITLE SS075Q103F050S1A

SCALE	DATE	DR	DWG	REV
5:1	6/24/2008	BLR	Q971017	D

THE INFORMATION CONTAINED IN THIS DOCUMENT IS PROPRIETARY TO E-SWITCH AND IS NOT TO BE COPIED OR TRANSFERRED